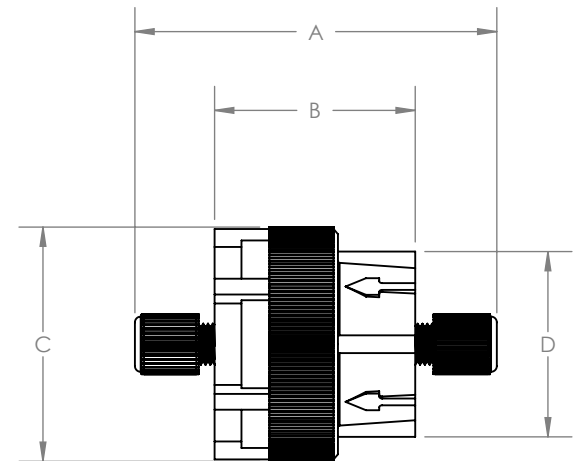


STANDARD DIMENSIONS

PART NUMBER	*PSI RATING 150°F/66°C	A INCHES (MM)	B INCHES (MM)	C INCHES (MM)	D INCHES (MM)
401-20-25-50-20-2	65 PSI	2.16" (54.9)	2.07" (52.6)	1.50" (38.1)	1.50" (38.1)
401-21-25-50-21-2	65 PSI	2.49" (63.2)	2.07" (52.6)	1.50" (38.1)	1.50" (38.1)
401-21-47-10-21-2	25 PSI	3.73" (94.7)	2.09" (53.1)	2.44" (62.0)	1.93" (49.0)
401-21-47-30-21-2	65 PSI	3.73" (94.7)	2.06" (52.3)	2.41" (61.2)	1.93" (49.0)
401-31-47-10-31-2	25 PSI	3.08" (78.3)	2.09" (53.1)	2.44" (62.0)	1.93" (49.0)
401-21-50-11-21-2	25 PSI	3.73" (94.7)	2.09" (53.1)	2.44" (62.0)	1.93" (49.0)
401-21-50-31-21-2	65 PSI	3.73" (94.7)	2.06" (52.3)	2.44" (62.0)	1.93" (49.0)
401-43-50-11-43-2	25 PSI	4.05" (102.9)	2.05" (52.1)	2.41" (61.2)	1.93" (49.0)
401-43-50-31-43-2	65 PSI	4.05" (102.9)	2.05" (52.1)	2.41" (61.2)	1.93" (49.0)
401-43-90-40-43-2	10 PSI	4.08" (103.6)	2.92" (74.2)	4.33" (110.0)	2.43" (61.7)
401-44-90-40-44-2	10 PSI	4.00" (101.6)	2.92" (74.2)	4.33" (110.0)	2.43" (61.7)
402-10-47-22-21-2	25 PSI	3.10" (78.7)	2.29" (58.2)	2.44" (62.0)	1.93" (49.0)
402-10-47-22-22-2	25 PSI	3.29" (83.6)	2.29" (58.2)	2.44" (62.0)	1.93" (49.0)
402-21-47-22-21-2	25 PSI	3.93" (99.8)	2.29" (58.2)	2.44" (62.0)	1.93" (49.0)
402-31-47-22-31-2	25 PSI	3.29" (83.6)	2.29" (58.2)	2.44" (62.0)	1.93" (49.0)
402-10-47-22-31-2	25 PSI	2.78" (70.6)	2.29" (58.2)	2.44" (62.0)	1.93" (49.0)
403-10-47-22-21-2	25 PSI	3.31" (84.1)	2.50" (63.5)	2.44" (62.0)	1.93" (49.0)
403-10-47-22-22-2	25 PSI	3.49" (88.6)	2.50" (63.5)	2.44" (62.0)	1.93" (49.0)
403-10-47-22-31-2	25 PSI	2.99" (75.9)	2.50" (63.5)	2.44" (62.0)	1.93" (49.0)
403-21-47-22-21-2	25 PSI	4.14" (105.2)	2.50" (63.5)	2.44" (62.0)	1.93" (49.0)
403-31-47-22-31-2	25 PSI	3.50" (88.9)	2.50" (63.5)	2.44" (62.0)	1.93" (49.0)
404-10-47-22-21-2	25 PSI	3.52" (89.4)	2.71" (68.8)	2.44" (62.0)	1.93" (49.0)
404-10-47-22-22-2	25 PSI	3.70" (94.0)	2.71" (68.8)	2.44" (62.0)	1.93" (49.0)
404-10-47-22-31-2	25 PSI	3.20" (81.3)	2.71" (68.8)	2.44" (62.0)	1.93" (49.0)
404-21-47-22-21-2	25 PSI	4.35" (110.5)	2.71" (68.8)	2.44" (62.0)	1.93" (49.0)
404-31-47-22-31-2	25 PSI	3.71" (94.2)	2.71" (68.8)	2.44" (62.0)	1.93" (49.0)

***NOTE: FOR EVERY 2°F/1°C INCREASE ABOVE 150°F/66°C, REDUCE PRESSURE RATING BY 1 PSI**



TITLE: **FILTER HOLDER DIMENSIONS**