

STANDARD DIMENSIONS

	PART NUMBER	*PSI RATING 100°F/38°C	VOLUME	A INCHES (MM)	B INCHES (MM)	C INCHES (MM)	D INCHES (MM)	E INCHES (MM)
FIGURE 1	500-060-02	75 PSI	60 ml	0.98" (24.9)	2.09" (53.1)	2.10" (53.3)	1.85" (47.0)	-
	500-120-02	75 PSI	120 ml	0.97" (24.6)	4.66" (118.4)	2.10" (53.3)	1.86" (47.2)	-
	500-375-02	75 PSI	375 ml	0.96" (24.4)	11.73" (298.0)	2.12" (53.9)	1.94" (49.3)	-
	500-375-06	75 PSI	375 ml	0.96" (24.4)	11.73" (298.0)	2.12" (53.9)	1.94" (49.3)	-
FIGURE 2	500-120-11	75 PSI	120 ml	0.97" (24.6)	4.66" (118.4)	-	1.86" (47.2)	1.37" (34.8)
	500-120-15	75 PSI	120 ml	0.97" (24.6)	4.66" (118.4)	-	1.86" (47.2)	1.37" (34.8)
	500-120-17	75 PSI	120 ml	0.97" (24.6)	4.66" (118.4)	-	1.86" (47.2)	1.37" (34.8)
	500-120-31	75 PSI	120 ml	0.97" (24.6)	4.66" (118.4)	-	1.86" (47.2)	1.37" (34.8)

***NOTE: FOR EVERY 2°F/1°C INCREASE ABOVE 100°F/38°C, REDUCE PRESSURE RATING BY 1 PSI**

FIGURE 1

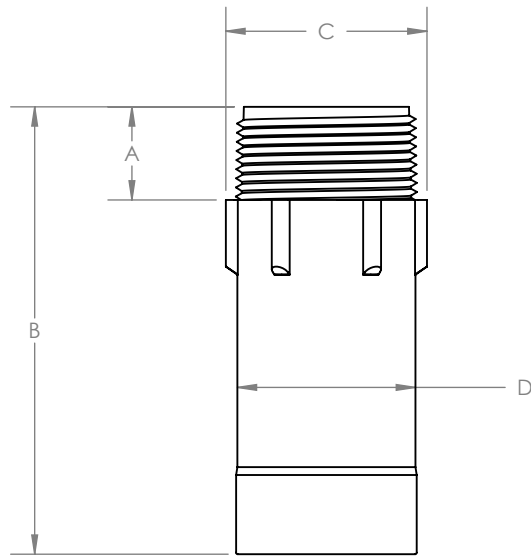


FIGURE 2

